

USE AND MAINTENANCE MANUAL

POTATO DIGGER WITH OSCILLATING SIEVES DM 100



PREFACE

This manual is part of the machine.

It must always accompany the machine and be kept within reach of the operator.
The enclosures mentioned are on integral part of this manual.

The purpose of this manual.

This manual gives information for the correct and safe use of the machine.
The owner must read this manual carefully.

Responsibility of the owner

The owner is responsible for accidents or damages caused to people or things due to negligence in following the instructions in this manual.

Assistance in using this manual

Explanations: contact the dealer.

Request for additional copies of the manual: in case of loss or wear and tear, or in case one wants the manual in a different language, the customer should ask the dealer or manufacturer.

Pay attention to the warning signals



<Danger>: indicates a situation that is potentially dangerous which, if not avoided, will cause death or serious damage.



<Warning>: indicates a situation that is potentially dangerous which, if not avoided, will cause death or serious damage; it is less serious than the preceding signal.



<Caution>: indicates a situation that is potentially dangerous which, if not avoided, can cause minor to moderate damage, or it indicates to be careful about an unsafe procedure.

<Important> : indicates instructions that must be followed precisely in order to avoid damage to the product, process or environment.

<Note>: indicates supplementary information.

ESSENTIAL DESCRIPTION

FUNCTIONS OF USE

This potato lifter has been designed for the harvesting of potatoes in medium to large plots .
The machine is made up of two elements that oscillate alternately.
With our potato lifters it is possible, without damaging the product, to separate it perfectly from the mould ; even when the land has tall thick grass.
The turning parts are well balanced, thus reducing vibration of the machine to a minimum and giving it the advantage of being stable and long - lasting .

VARIANTS

It is possible to have the machine with or without guiding disks.
These clearly cut and delimit the portion of land to be passed over by the sieves(along the direction of the work to be done) making the work more precise.

PERFORMANCE OUTSIDE PERFORMANCE LIMITS

LIMITATIONS OF PERFORMANCE

Each model must have the correct horsepower .

Recommended maximum forward speed : 5 Km/hour

It is not possible to attach the guide disks when working on stony terrain because the stones would raise the tool, preventing it from working evenly with regard to height.

USE OUT OF PERFORMANCE LIMIT

Mechanical damage to the machine can be caused by using more power than the power feature of the model. The higher the power is over the limits and the heavier the work, the greater the risks .

Speeds above the maximum recommended compromise the condition of the machine and the quality of the work .

FOR BEST PERFORMANCE

Work on dry land.

SAFETY FUNCTIONS

Protection carter that prevents upper limbs from being inserted into the eccentric cranks (cam box) that make the sieves move.

TECHNICAL SPECIFICATIONS

MODEL	WIDTHCM	HEIGHT Cm	LENGTH Cm	WEIGHT Kg	HORSE POWER OF TRACTOR HP
DM 100	150	120	150	260	25

SAFETY INFORMATION

DANGERS AND PRECAUTIONS IN GENERAL

In this section potential dangers and precautions are listed to minimize risks associated with such dangers .

Only work in daylight with good lighting .

The implement mustn't be used if there are people , especially childrens , or animals nearby.

Wear long pants , strong heavy shoes ; don't work barefoot or with sandals .

Make sure that there are no stones , sticks , iron wires , etc. underneath the ground .

Be careful about using the implement on slopes , proceed in the direction of the steepest slope and never in an oblique direction . Check the manual for the limitations of the walking tractor in working on slopes .

Respect the performance limits .

Check the implement immediatly if it touches foreign objects.

Change defective parts at the right time.

While transporting the implement, drive slowly; avoid vibrations and sharp turning due to the terrain .

Keep away from sharp blades.

Store the implement in a place set apart, to avoid someone running into the blades ; use protections where the implement is stored .

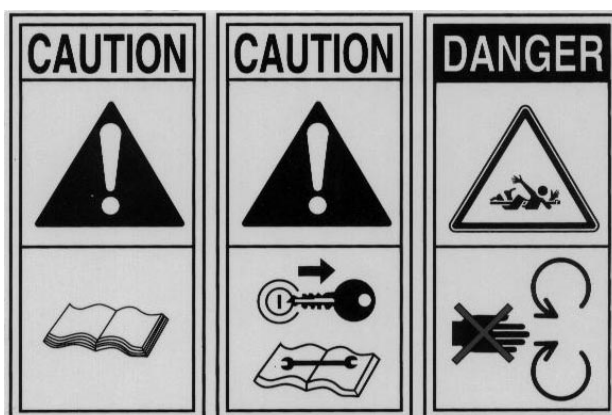
SAFETY RESTRICTIONS

Children and people who aren't familiar with these instructions should not be permitted to use the implement .

Local regulations on age restrictions can limit the use of the implement .

SAFETY SIGNS ON THE MACHINE

In this section, the safety signs on the machine are reproduced and explained.



1

1 Read the operator's manual.

2

2 Don't open or remove the safety cover when the machine is on.

The safety signs on the machine must always be legible.

In case of damage, the labels of the signs must be substituted.

In the case of the substitution of machine parts that have safety signs, the signs must be replaced.

Suppling new safety labels and the application procedure.

Contact your dealer to receive new safety labels with instructions for application.

OPERATIVE INFORMATION

DEVICES

Regulating depth by the bolts on the blind wheel holes.
Regulating height by the bolts on the blind holes in the guide disks.
Regulating length of the connecting rod by holes .

This regulation allows the width of movement of the oscillating sieves to be modified.

OPERATIVE PROCEDURES AND INSTRUCTIONS

On receiving the machine

Lubricate the machine in the special lubrication points.

Checks before beginning work

Check that the turning parts aren't blocked or rusted.
Lubricate if necessary.


Mechanical attachment to tractor.

By means of the triangle of the three point hitch.


Attaching the PTO to the tractor .

By means of the cardan shaft.

On arrival at the work area and beginning to work

 **<Danger>** : Until the tool is lowered onto the ground in working position it must remain still with the transmission disengaged.

End of work

 **<Danger>** : Before raising the tool from the ground, make sure that it isn't in motion and that the transmission is disengaged.

Cleaning after work

MALFUNCTIONING

MALFUNCTIONS	CAUSES AND REMEDIES
Clogged sieves	Clean the sieves by removing objects causing obstruction (stones, sticks, etc...)
Loss of balance of the tool when working on steep slopes	Avoid steep slopes

PROCEDURES AND INSTRUCTIONS FOR MAINTENANCE



<Warning> : do all maintenance work with the engine turned off and the PTO disengaged.

<Note>: Always follow the maintenance chart attached here so that the condition of the machine is always under control.

Maintenance of the cardan joint : see the attached manual for the cardan shaft.

Lubrication

Use grease for the bearings .(for example, universal NLGI.2 grease)

SUMMARING TABLE OF MAINTENANCE

	Every 500 hours	When necessary	End of season	Beginning Work	End of work
Screws		Tighten			
Machine			Lubrication and cleaning		

TRANSPORT

Except when working, moving the machine takes place when the machine is standing still and the transmission is disconnected.

<Important>: keep speed low avoiding holes and ground roughness.

<Important>: Before begin the movements always make sure that the safety hooks be in position.

<Note when on the road, obey existing traffic laws. Exhibit the signal signs on the rear ends. Respect any local laws there may be.

STORAGE

Store the machine in a dry place that isn't dusty.

INFORMATION ON DEMOLITION



At the end of its working life, the machine must be sent to be demolished and that can only be done by an authorized authority, in accordance with the national laws in force for the environment. Therefore it is necessary to get information from the qualified local authorities on the procedure to follow. The machine is mainly composed of: iron materials and paints.

WARRANTY

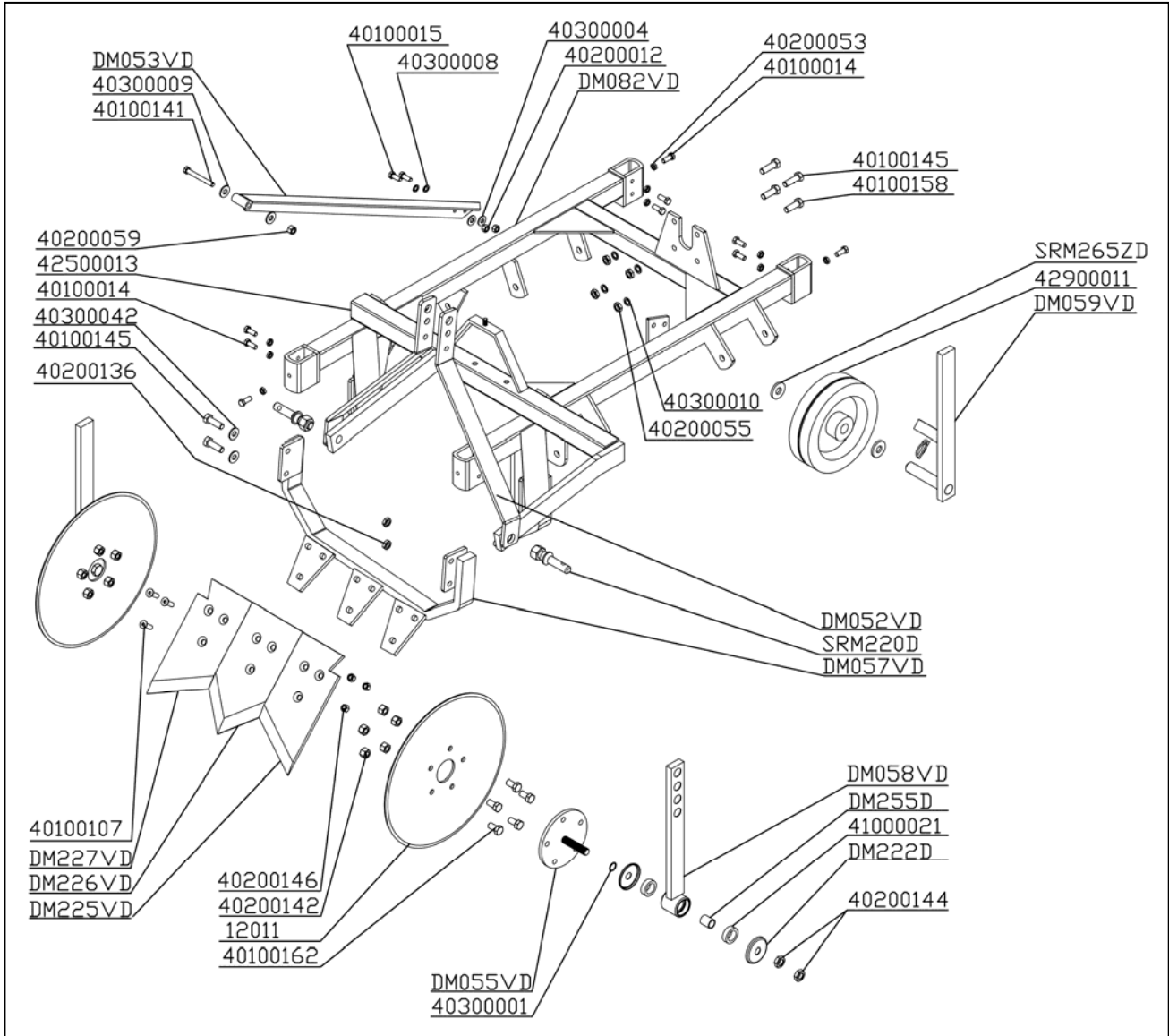
The machine is covered by the manufacturer warranty for a period of 24 months.

The warranty is not applicable when:

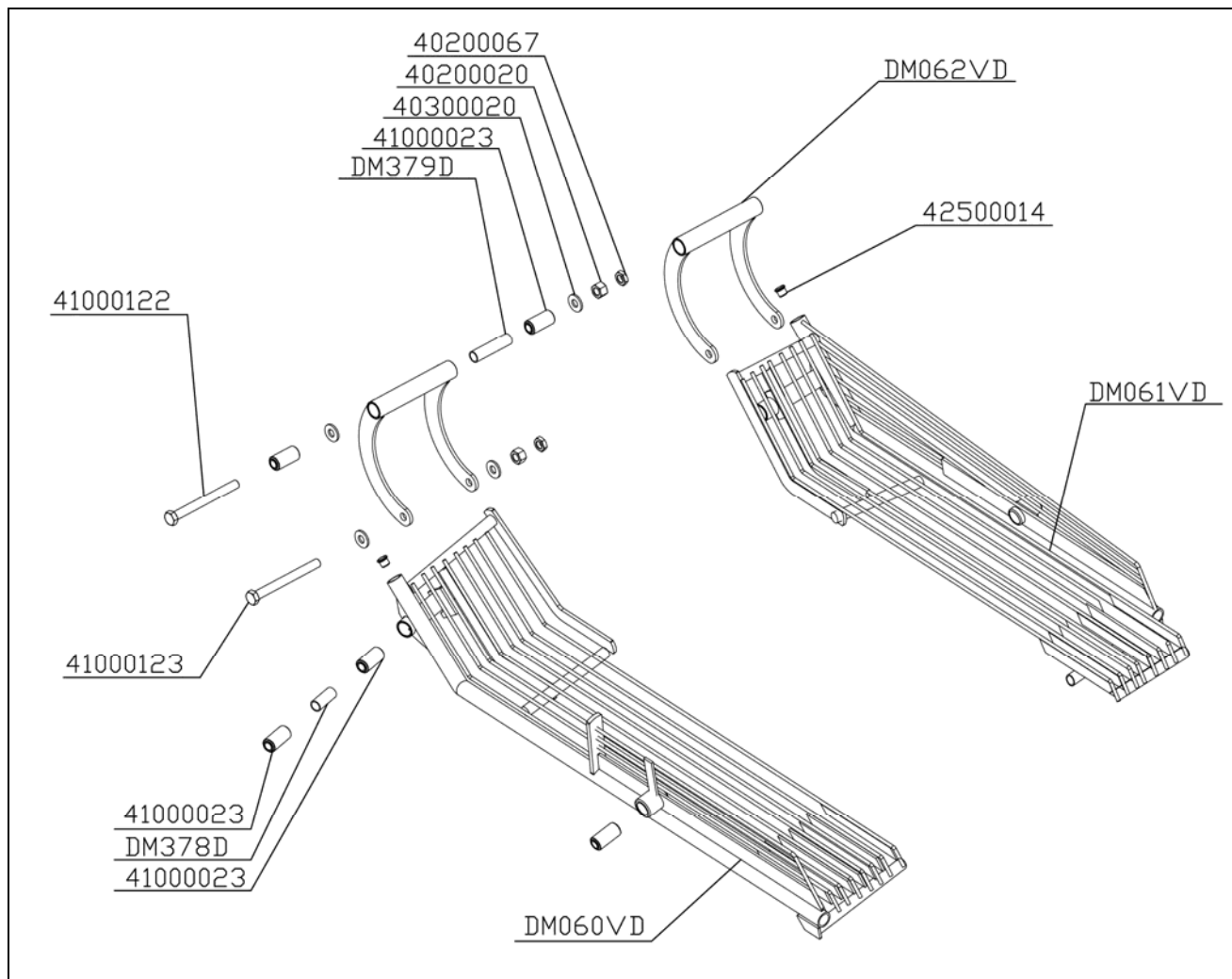
- a) The maintenance work has not been done correctly.
- b) The machine has been used out of its own service.
- c) The machine has been transformed or modified without the manufacturer's written authorization.

SPARE PARTS

GROUP FRAME



GROUP SIEVE



GROUP TRANSMISSION

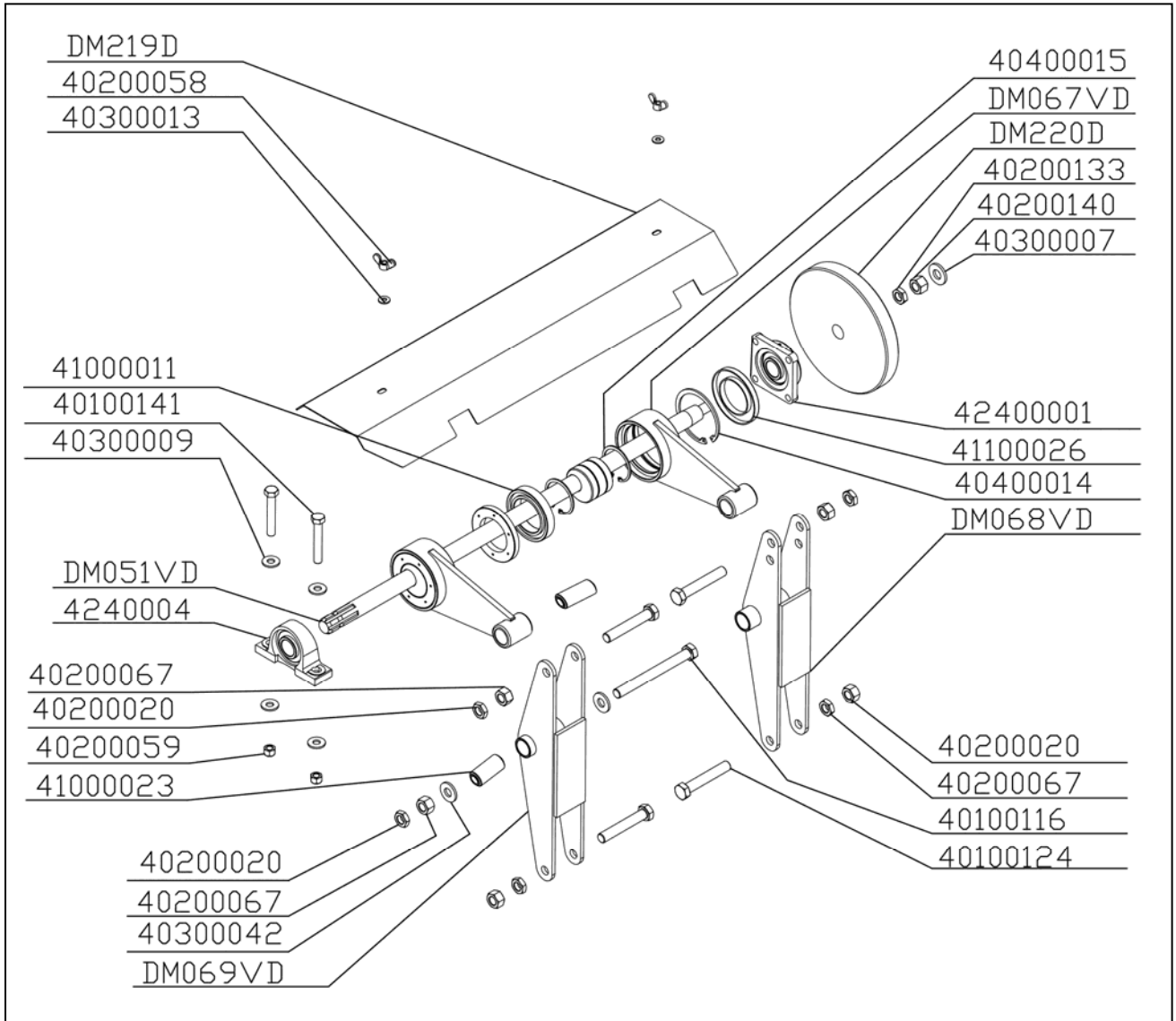


TABLE OF CONTENTS

PREFACE	2
PAY ATTENTION TO THE WARNING SIGNALS	2
ESSENTIAL DESCRIPTION	3
FUNCTIONS OF USE	3
VARIANTS	3
PERFORMANCE OUTSIDE PERFORMANCE LIMITS	4
TECHNICAL SPECIFICATIONS	5
SAFETY INFORMATION	6
DANGERS AND PRECAUTIONS IN GENERAL.....	6
SAFETY RESTRICTIONS	6
SAFETY SIGNS ON THE MACHINE	7
OPERATIVE INFORMATION	8
OPERATIVE PROCEDURES AND INSTRUCTIONS	9
PROCEDURES AND INSTRUCTIONS FOR MAINTENANCE	11
SUMMARING TABLE OF MAINTENANCE	11
TRANSPORT	12
STORAGE	12
INFORMATION ON DEMOLITION	12
WARRANTY	12
WORK AND MAINTENANCE SHEET	13
GROUP FRAME	15
GROUP SIEVE	16
GROUP TRANSMISSION	17

