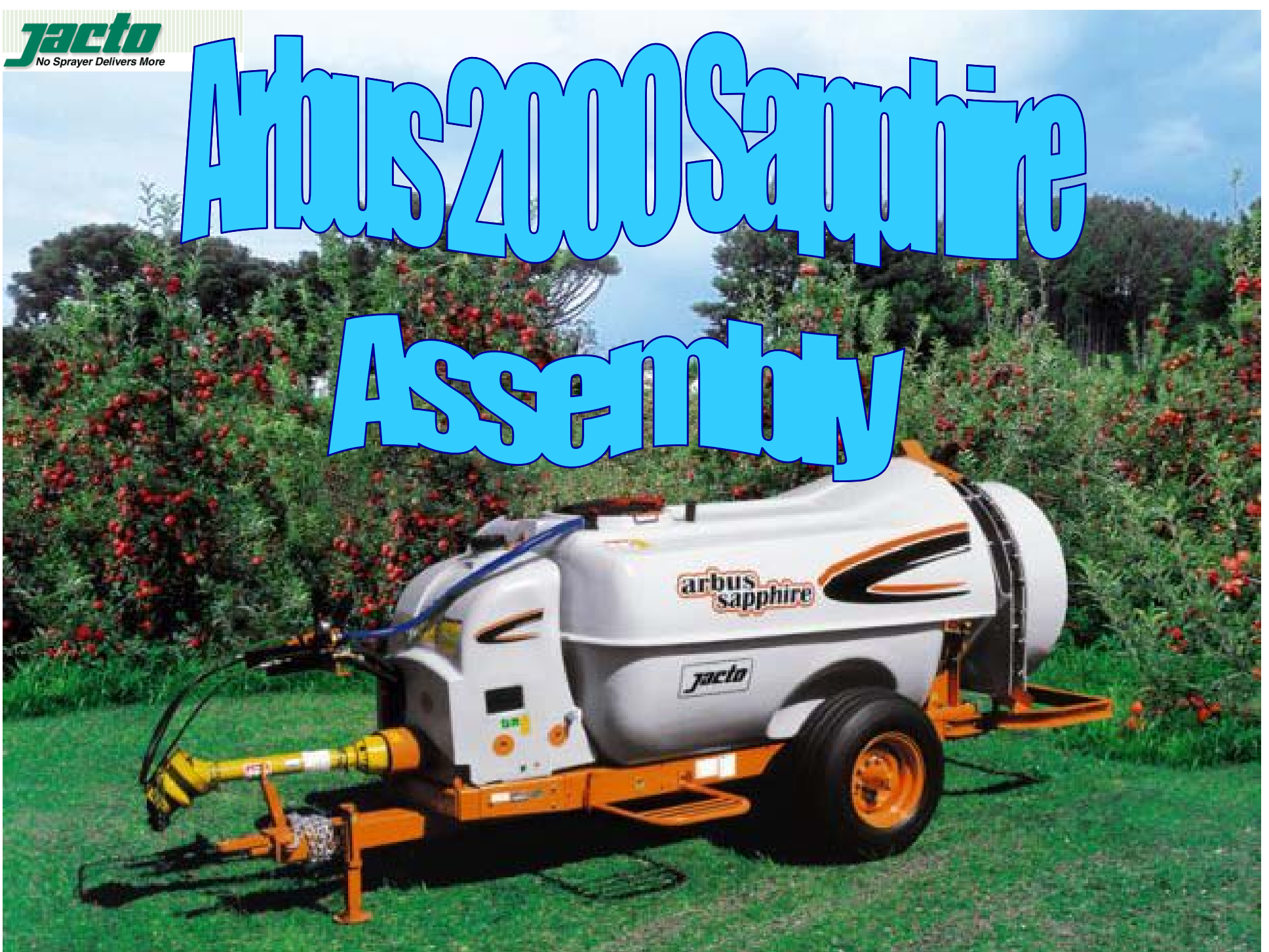
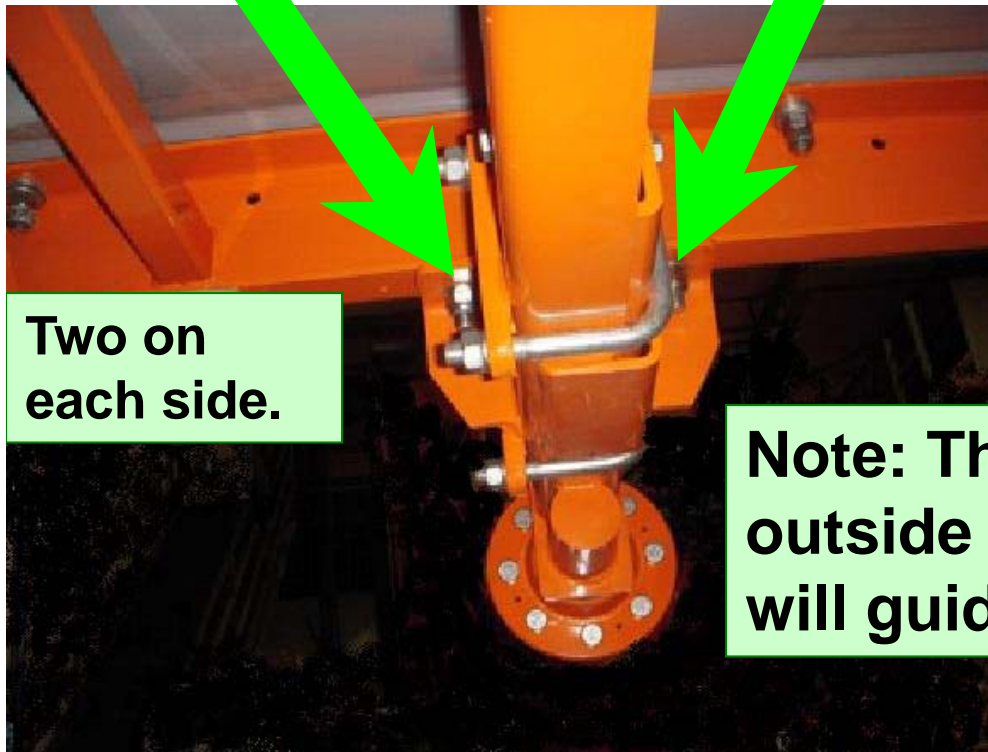
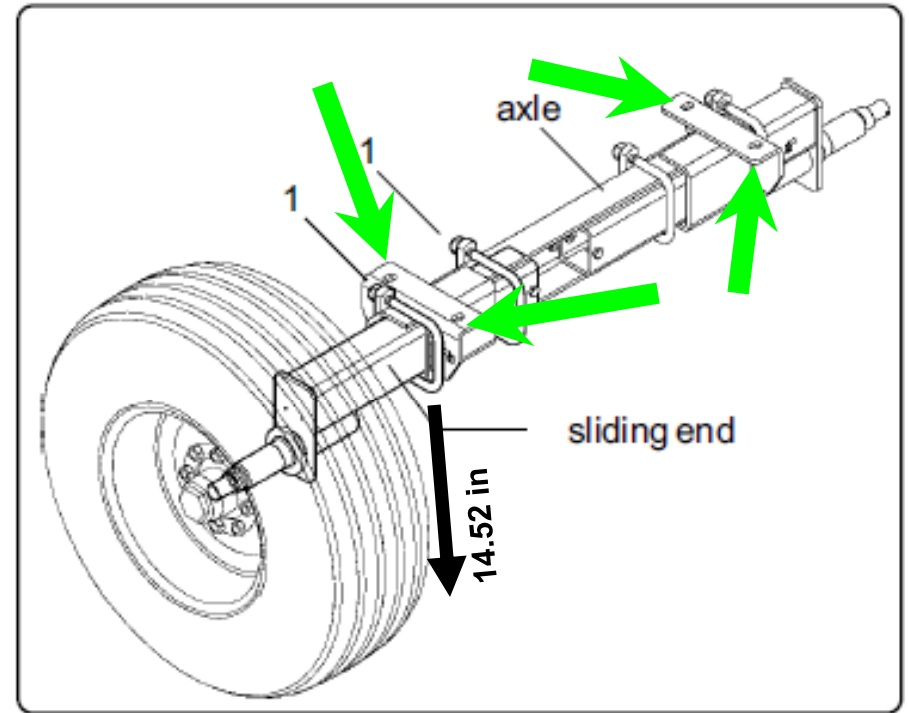


jacto
No Sprayer Delivers More

Arbus 2000 Sapphire Assembly

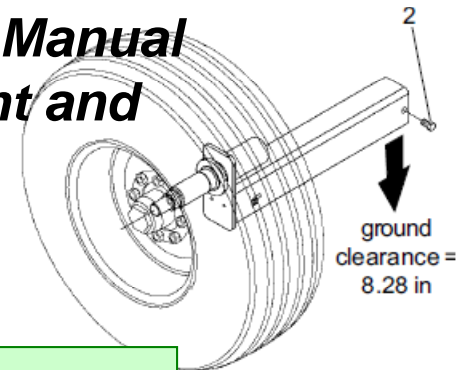


Attach the Axle to the chassis using the four (4) bolts, washers, and nylon lock nuts. Mount the tires.



Two on each side.

See Operators Manual for wheel height and track width adjustments.



Note: The wheel recess outside on the main tank will guide positioning





Attach the sprayers tongue using the two (2) hitch fastening plates with (8) bolts, washers, and nuts (found in Accessories box)

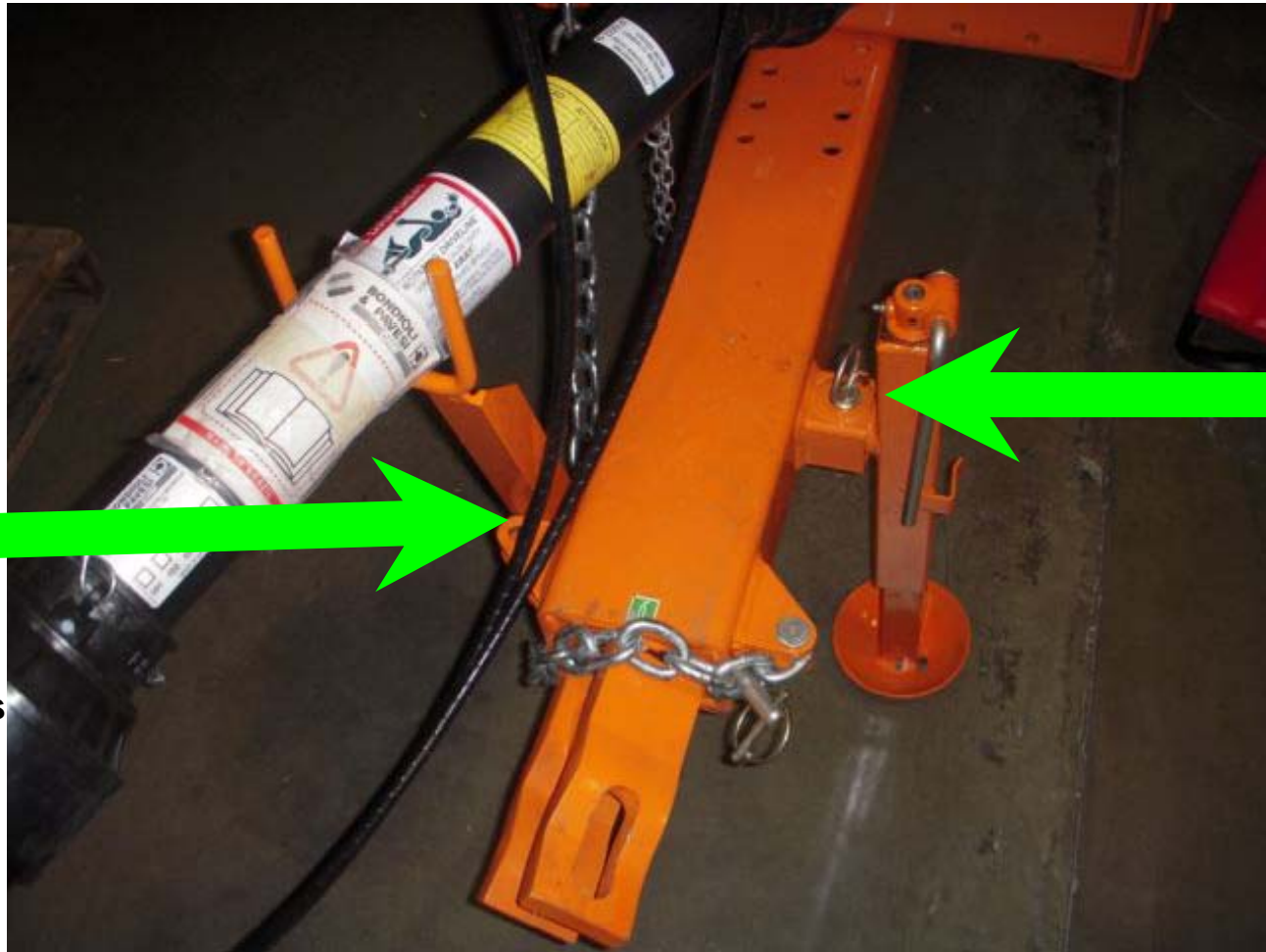


Note: The tongue is adjustable. Set proper tongue length before cutting/shortening the PTO.

Underside

Attach the Jack and PTO Support to the sides of the tongue

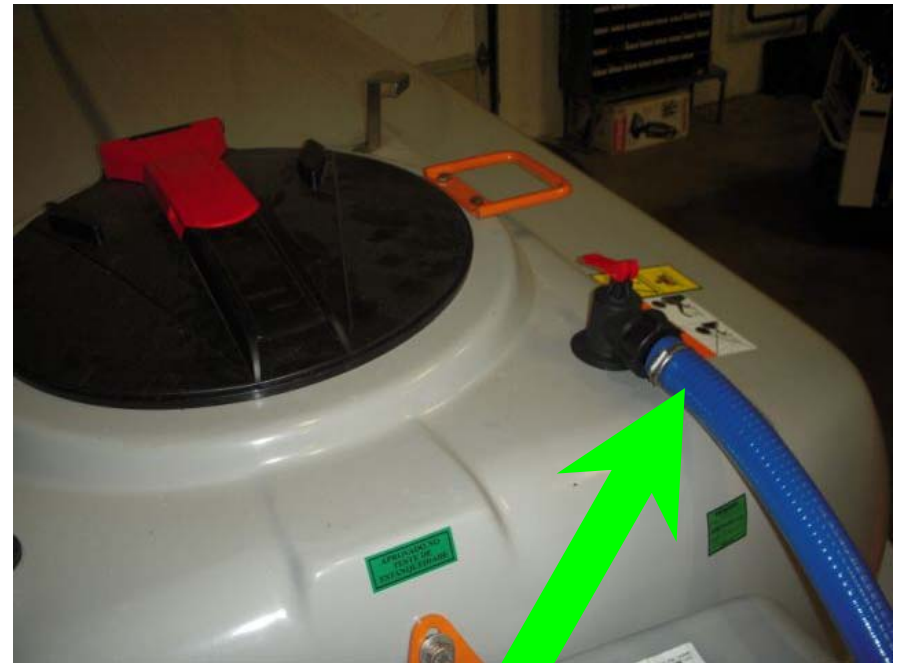
One (1) bolt, washer, and nut (found in Accessories box)



One (1) Pin attached to jack

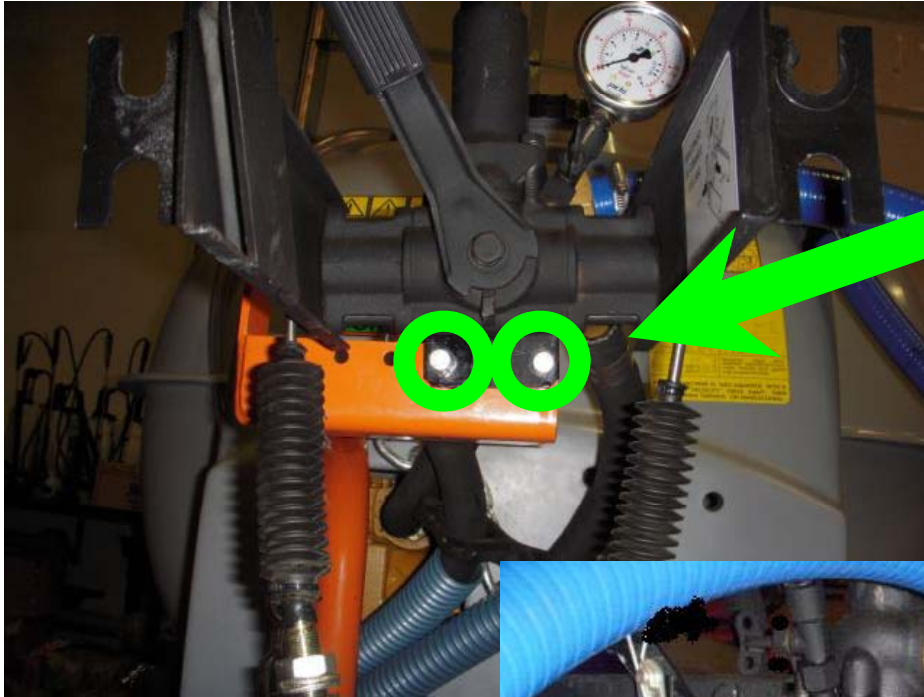
Attach the step to the side of the chassis using two (2) bolts, washers, and nuts

(found on the chassis)



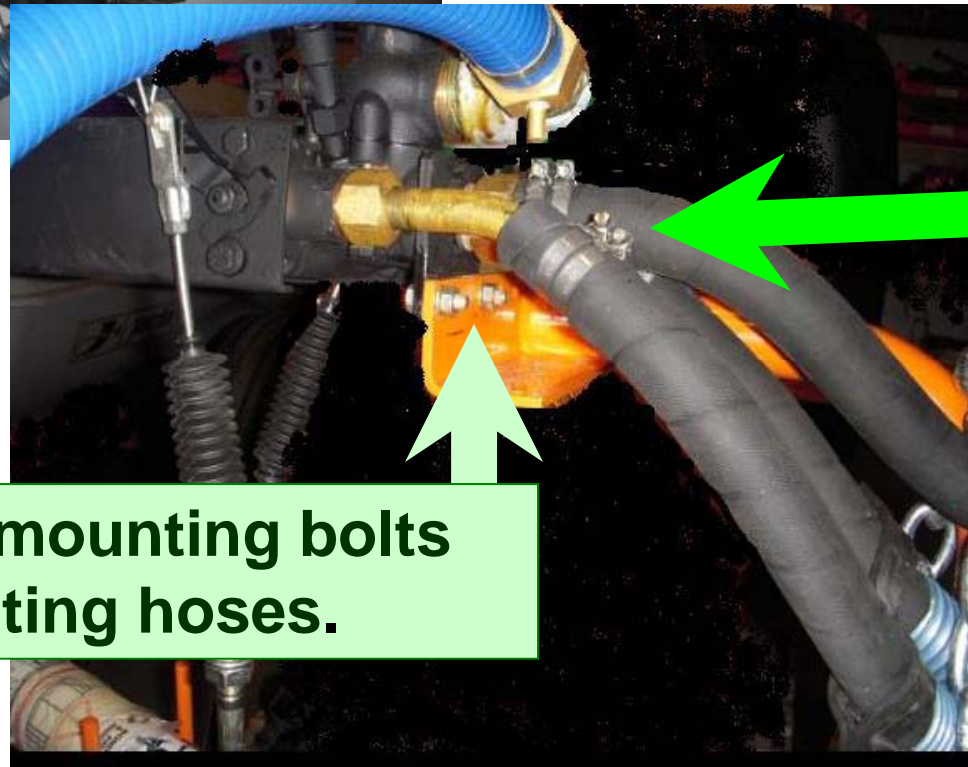
The blue bypass hose connects to the top of the tank.

Mount Chemical Control Valve



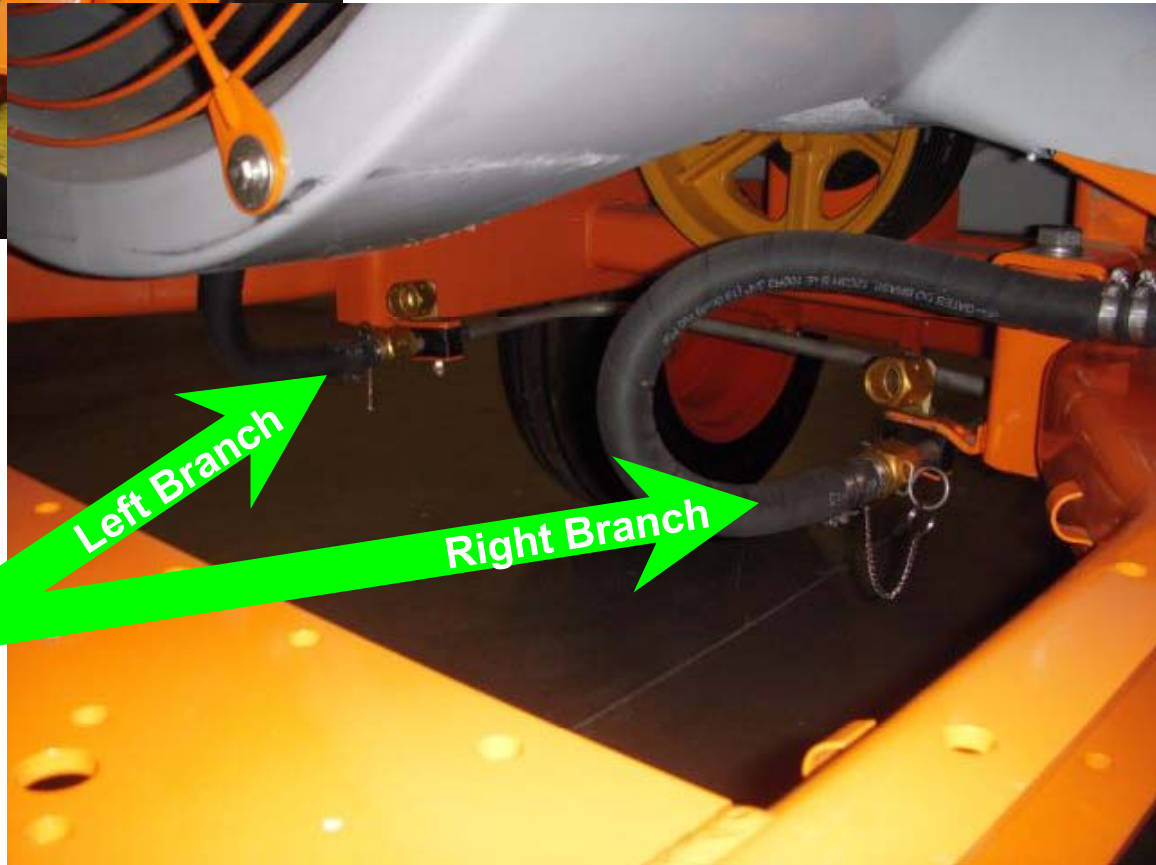
Mount using two (2) bolts, washers and nuts

(found on the mounting bracket)



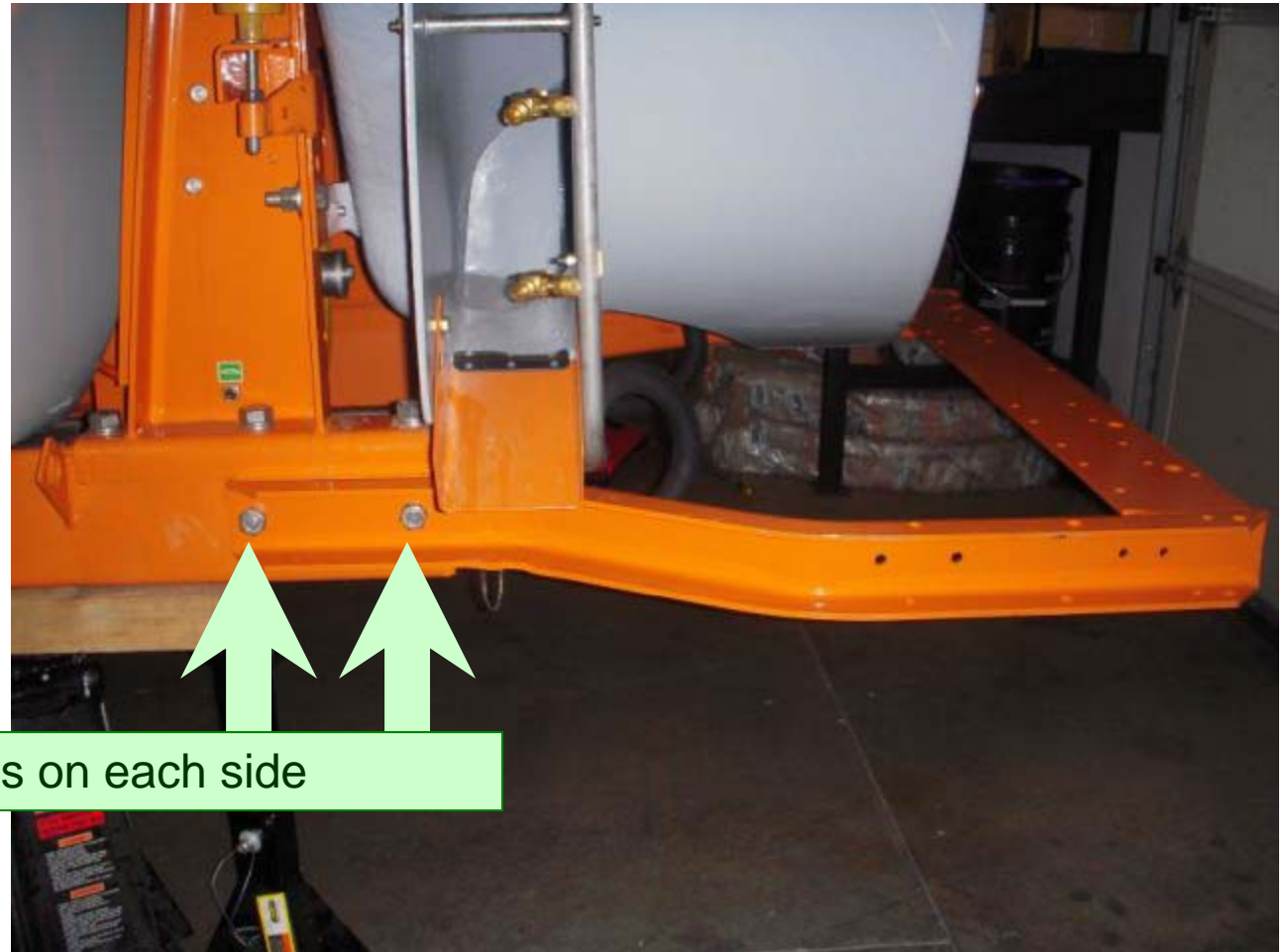
Connect chemical hoses, secure each with double hose clamps provided.

Tighten valve mounting bolts before connecting hoses.



**Attach the
chemical hoses
their respective
nozzle branches**

Attach the bumper across the rear of the sprayer trailer using four (4) bolts into the threaded holes found on the chassis.



Two (2) Bolts on each side