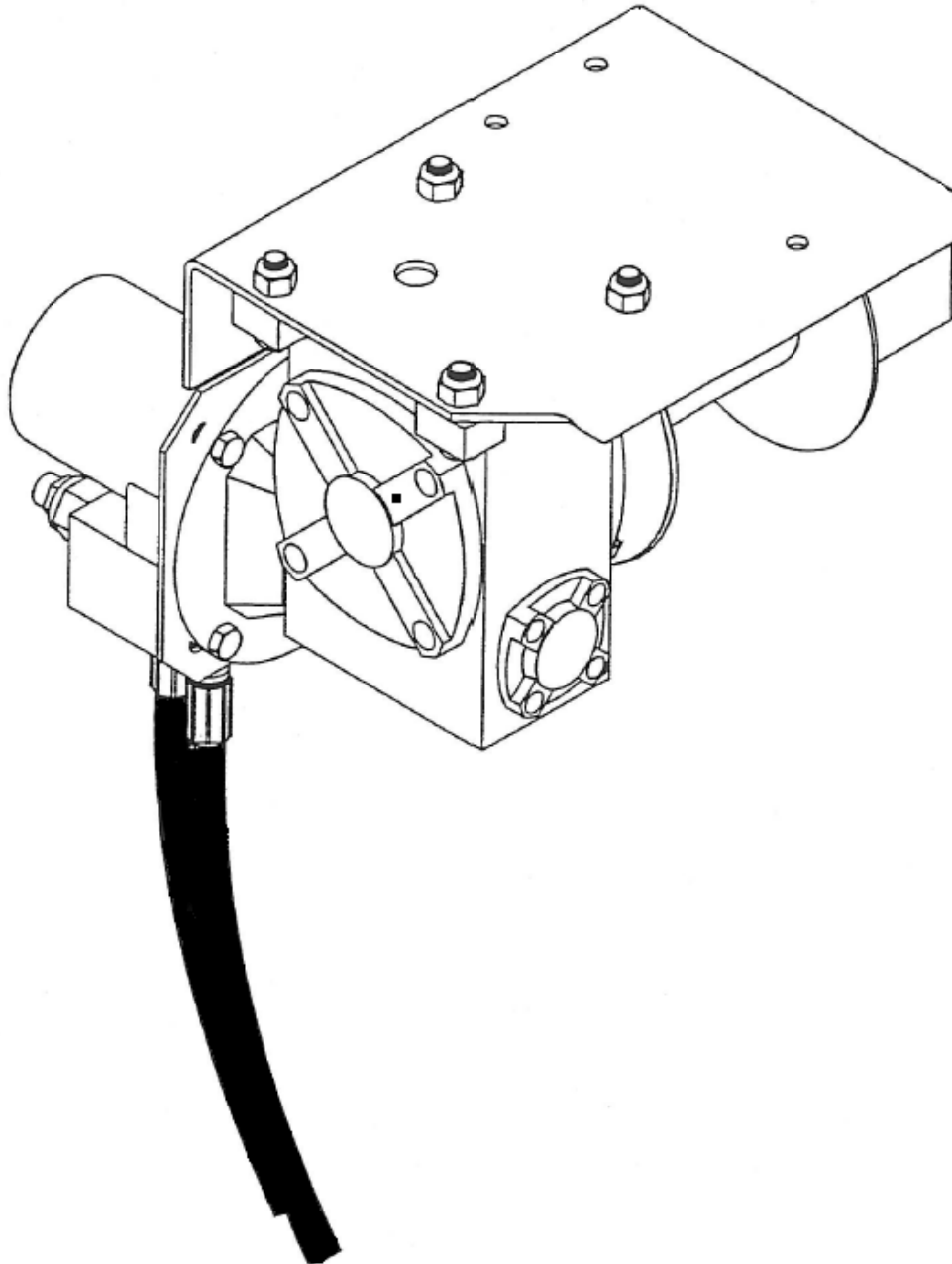


## HYDRAULIC WINCH

FOR AUGERS UP TO WR10 X 71' / W130 X 41'  
ASSEMBLY & OPERATION MANUAL



Read this manual before using product. Failure to follow instructions and safety precautions can result in serious injury, death, or property damage. Keep manual for future reference.

Part Number: 30389 R1

Revised: 7/3/12



# TABLE OF CONTENTS

<b>1. Safety First.....</b>	<b>5</b>
1.1. General Safety .....	6
1.2. Operation & Placement Safety .....	7
1.3. Maintenance Safety.....	7
<b>2. Assembly .....</b>	<b>9</b>
2.1. Winch Specifications .....	9
2.2. Winch Installation .....	9
2.3. Cable Installation.....	10
<b>3. Operation .....</b>	<b>11</b>
<b>4. Maintenance .....</b>	<b>13</b>
Warranty.....	15



# 1. Safety First



The Safety Alert symbol to the left identifies important safety messages on the product and in the manual. When you see this symbol, be alert to the possibility of personal injury or death. Follow the instructions in the safety messages. Why is SAFETY important to you?

Three big reasons:

- Accidents disable and kill.
- Accidents cost.
- Accidents can be avoided.

## SIGNAL WORDS

Note the use of the signal words **DANGER**, **WARNING**, **CAUTION**, and **NOTICE** with the safety messages. The appropriate signal word for each message has been selected using the definitions below as a guideline.

The Safety Alert symbol means: "ATTENTION, BE ALERT! YOUR SAFETY IS INVOLVED".

### DANGER



Indicates an imminently hazardous situation that, if not avoided, will result in serious injury or death.

### WARNING



Indicates a hazardous situation that, if not avoided, could result in serious injury or death.

### CAUTION



Indicates a hazardous situation that, if not avoided, may result in minor or moderate injury.

### NOTICE

Indicates a potentially hazardous situation that, if not avoided, may result in property damage.

## 1.1. GENERAL SAFETY

**Important:** *This general safety section includes instructions that apply to all safety practices. Any instructions specific to a certain safety practice (e.g., assembly safety), can be found in the appropriate section. Always read the complete instructional sections and not just these safety summaries before doing anything with the equipment.*

**YOU** are responsible for the **SAFE** use and maintenance of your equipment. **YOU** must ensure that you and anyone else who is going to work around the equipment understands all procedures and related **SAFETY** information contained in this manual.

Remember, **YOU** are the key to safety. Good safety practices not only protect you, but also the people around you. Make these practices a working part of your safety program.

- It is the equipment owner and the operator's responsibility to read and understand **ALL** safety instructions, safety decals, and manuals and follow them before assembling, operating, or maintaining the equipment. All accidents can be avoided.
- Equipment owners must give instructions and review the information initially and annually with all personnel before allowing them to operate this product. Untrained users/operators expose themselves and bystanders to possible serious injury or death.



- Use this equipment for its intended purposes only.
- Do not modify the equipment in any way. Unauthorized modification may impair the function and/or safety, and could affect the life of the equipment. Any modification to the equipment voids the warranty.
- Do not allow children, spectators, or bystanders within the work area.
- Have a first-aid kit available for use should the need arise, and know how to use it.
- Provide a fire extinguisher for use in case of an accident. Store in a highly visible and accessible place.
- Wear appropriate protective gear. This list includes, but is not limited to:



- a hard hat
- gloves
- protective shoes with slip-resistant soles
- protective goggles
- hearing protection
- dust mask or respirator



- For Powered Equipment: before servicing, adjusting, or repairing powered equipment, unplug, place all controls in neutral or off position, stop the engine or motor, remove ignition key or lock out power source, and wait for all moving parts to stop.


- Follow good shop practices:
  - keep service area clean and dry
  - be sure electrical outlets and tools are properly grounded
  - use adequate light for the job at hand
  - Think SAFETY! Work SAFELY!



## 1.2. OPERATION & PLACEMENT SAFETY

---

- Follow all instructions in the assembly and operation manual that was supplied with your auger to ensure safe operation.
- Inspect cable before installing and using hydraulic winch. Replace if frayed or damaged.
- Do not continue to supply power to hydraulic winch after auger has reached full up position.
- Do not disconnect hydraulic quick couplers when lines are pressurized.
- Make sure lift cable is seated in cable pulley.
- Always keep a minimum of 3 cable wraps on the drum with the auger lowered.
- Keep decals clean. Replace any decal that is damaged or not clearly visible.
- Do not use hands to guide the cable.


<b>WARNING</b>	
	<p>Keep away from rotating cable sheaves and cables.</p> <p>Do not touch or grab cable while auger is being raised or lowered.</p> <p>Failure to heed will result in serious injury.</p>

## 1.3. MAINTENANCE SAFETY

---

- Inspect cable before using hydraulic winch. Replace if frayed or damaged.
- Do not remove or tamper with hydraulic motor control valve.
- Fully lower auger and shut off / lock out power before servicing or maintaining the winch system.
- Make sure auger wheels are free to move when raising and lowering auger.
- If cable becomes slack when lowering auger before in full down position, this indicates that the track shoe is stuck. To correct the problem, reverse winch till cable is taut and correct sticking track shoe.
- Do not use auger as a hoist.

- Make certain cable is winding properly onto top side of drum as shown.

<b>WARNING</b>	
	<p>Inspect cable frequently.</p> <p>If damaged, replace immediately. Make certain cable clamps are securely tightened.</p> <p>Failure to heed will cause serious injury or death.</p>



# 2. Assembly

**Warning:** Before continuing, ensure you have read and understand the relevant information in the safety section. Safety information is provided to help prevent serious injury, death, or property damage.

## 2.1. WINCH SPECIFICATIONS

Maximum Winch Capacity	2500 lb (11.1 kN)
For Augers Up To	WR10x71'/W130x41' *Not for use on J or MK Augers
Minimum Tractor Hydraulic Pressure Required	1200 psi (8272 kPa)
Minimum Tractor Hydraulic Flow Capacity at 1200 psi	4.0 gpm (15 L/m)
Maximum Tractor Operating Hydraulic Pressure	2500 psi (17233 kPa)
Winch Weight	60 lb (27.3 kg)

## 2.2. WINCH INSTALLATION

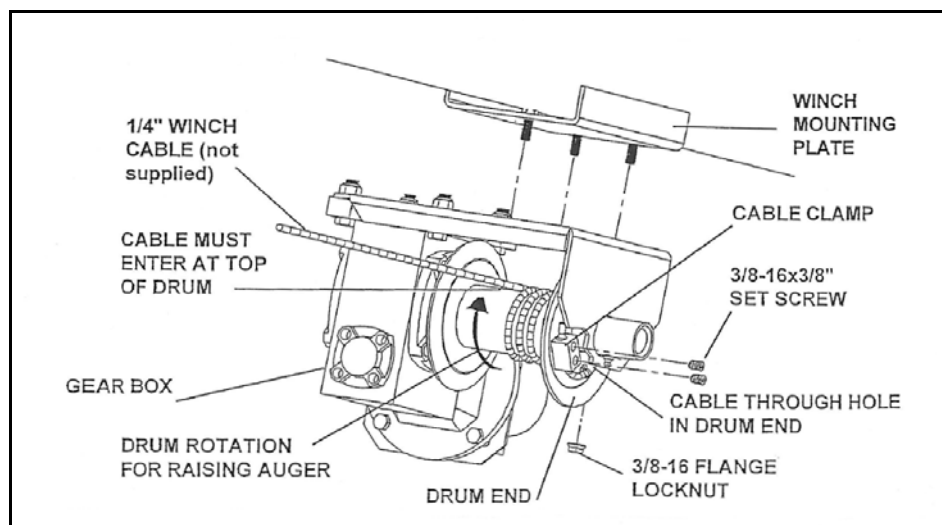
1. Mount winch to mounting plate studs with 3/8" flange locknuts (Figure 2.1)

**Important:** *If auger has more than one winch mount, use the mount that is closest to the auger intake.*

2. Connect hydraulic hoses (not supplied) to 7/8-14 UNF-28 SAE o-ring ports on hydraulic motor valve. Connect other end of hoses to tractor with appropriate quick couplers (not supplied). Apply power to winch motor, rotate winch drum until cable clamp is visible (Figure 2.1).

**Important:** *Hydraulic hoses must be a minimum of 3/8" diameter and have a 2500 psi rating.*

*Dirt in the hydraulic system can damage the motor, shortening the life, and may cause failure of the winch system.*



**Figure 2.1**

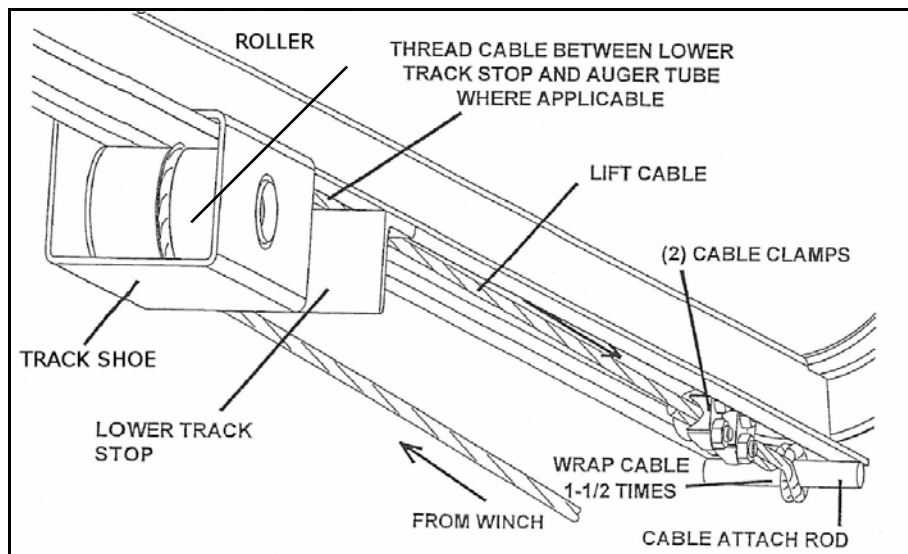
## 2.3. CABLE INSTALLATION

1. Loop cable over top of drum, through hole in drum end, through cable clamp, and then tighten with two 3/8" set screws (Figure 2.1).

**Important:** Cable must enter winch on the top side of drum and must have a minimum of 3 wraps on the drum when auger is in the transport position.

➔ **FOR NEW INSTALLATIONS, USE STEPS 2 AND 3**

2. Thread lift cable under and around roller on track shoe then back to the cable-attach rod welded to lower end of track (Figure 2.2).

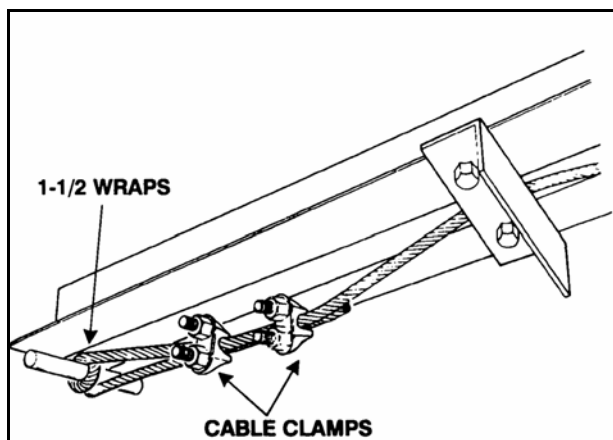


**Figure 2.2**

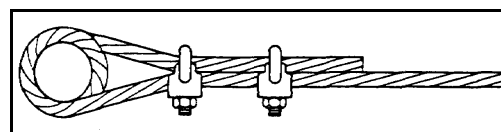
**Note:** On augers equipped with a lower angle-iron track stop, the cable must be threaded between track stop and auger tube so the cable rests on top of the track stop (Figure 2.2).

3. Wrap cable 1-1/2 times around the cable attach rod and secure with two 1/4" cable clamps. Position cable clamps as shown in Figure 2.3 and 2.4. Tighten cable clamps securely.

**Note:** Make certain cable is properly seated in cable groove before raising auger.



**Figure 2.3**




**Figure 2.4**

4. Rotate drum until cable is taut. Ensure drum is rotating in direction shown in Figure 2.1 when raising auger.
5. Tie up winch motor hydraulic hose as needed to prevent damage to the hose.
6. Check gearbox for oil - make certain it is half full.



# 3. Operation

**Warning:** Before continuing, ensure you have read and understand the relevant information in the safety section. Safety information is provided to help prevent serious injury, death, or property damage.

WARNING	
	High Pressure Fluid Hazard
	Hydraulic fluid can cause serious injury if it penetrates the skin. If it does, see a doctor immediately.
	Relieve pressure before disconnecting the hydraulic line.
	Wear proper hand and eye protection, and use wood or cardboard, not hands, when searching for leaks.
	Keep all hoses and other components in good repair.


7. Follow all instructions in the manual received with your auger regarding transport, placement, operation, maintenance, and storage of your auger.
8. Before connecting hose, wipe coupler clean.

NOTICE
Dirt in the hydraulic system can damage the winch motor and can cause failure of the system.

9. After connecting hose, visually check for leaks, binding, flattening, kinks, or wear.


**Important:** *Ensure that all safety precautions and safety procedures are understood when working with your tractor hydraulic system.*

10. Check that wheels are free to move before raising or lowering your auger, and that the entire line of travel on the ground and overhead is clear of any obstructions or electrical wires.

CAUTION	
	Before raising or placing auger, ensure that the ground is level.
	The auger could topple if ground is too uneven, damaging the equipment and causing personal injury.

11. Start tractor and idle at low rpm. Engage hydraulic lever to power winch. Test the direction of rotation of winch to ensure drum is moving in the direction required. Increase tractor rpm until desired rate of lift or descent is reached.

**Important:** *Do not continue to supply power to winch when auger has reached full up position. Damage to auger and/or personal injury could result.*

WARNING	
	<p>Keep hair, clothes, and body parts away from all moving winch parts. Do not touch or grab cable while auger is being raised or lowered.</p> <p>Do not permit anyone to stand beneath the auger when raising or lowering.</p> <p>Ensure auger is empty before raising or lowering.</p>

# 4. Maintenance

**Warning:** Before continuing, ensure you have read and understand the relevant information in the safety section. Safety information is provided to help prevent serious injury, death, or property damage.

Proper maintenance means a longer life and safer, more efficient operation. We recommend the following steps to maintain this winch.

1. **LIFT CABLE:** Check and replace if frayed or damaged. Ensure cable clamps are secure.
2. **HYDRAULIC HOSES:** Check hoses and couplers frequently for leaks, wear, or damage. Replace if necessary. Use cardboard when searching for leaks.
3. **DRUM BUSHING:** Grease with automotive grease once every season.
4. **GEARBOX:** Check oil level at least once a year. Gearbox should be 1/2 full—do not overfill. (Oil capacity: 400 ml or 14 fl.oz. of EP90 lube oil.)

## WARNING



Before performing any maintenance, shut down and lock out all power to the winch.

When servicing winch, auger must be in full down position.

Never remove winch motor when auger is partially or fully raised.





# WARRANTY

Westfield Industries Ltd. warrants products of its manufacture against defects in materials or workmanship under normal and reasonable use for a period of one year after date of delivery to the original purchaser.

Our obligation under this warranty is limited to repairing, replacing, or refunding defective part or parts which shall be returned to a distributor or a dealer of our Company, or to our factory, with transportation charges prepaid. This warranty does not obligate Westfield Industries Ltd. to bear the cost of labor in replacing defective parts. Any defects must be reported to the Company before the end of the one year period.

This warranty shall not apply to equipment which has been altered, improperly assembled, improperly maintained, or improperly repaired so as to adversely affect its performance. Westfield Industries Ltd. makes no express warranty of any character with respect to parts not of its manufacture.

The foregoing is in lieu of all other warranties, expressed or implied, including any warranties that extend beyond the description of the product, and the IMPLIED WARRANTY of MERCHANTABILITY is expressly excluded.

WESTFIELD INDUSTRIES LTD.

ROSENORT, MANITOBA

CANADA

R0G 1W0

# **WESTFIELD**

Westfield Industries

Part of the Ag Growth International Inc. Group

P.O. Box 39

Rosenort, Manitoba, Canada R0G 1W0

Phone: (866) 467-7207 (Canada & USA)

Fax: (866) 768-4852

website: [www.grainaugers.com](http://www.grainaugers.com)

email: [sales@grainaugers.com](mailto:sales@grainaugers.com)

© Ag Growth International Inc. 2013



Printed in Canada